

CIMFR CERT NO.:— CIMFR/TC/P/H681
 SUPPLE. T.C. NO.:— CIMFR/TC/S/H139
 TYPE/CAT NO.:— KBP-** SERIES

SPECIFICATION

TYPE OF PROTECTION :-
 Ex'd' IIA, IIB & IIC AS PER IS/IEC 60079-1:2007

DEGREE OF INGRESS PROTECTION :-
 IP-66 AS PER IS/IEC 60529:2001

AREA CLASSIFICATION :-
 ZONE 1 & 2

GAS GROUPS :-
 GROUP IIA, IIB & IIC.

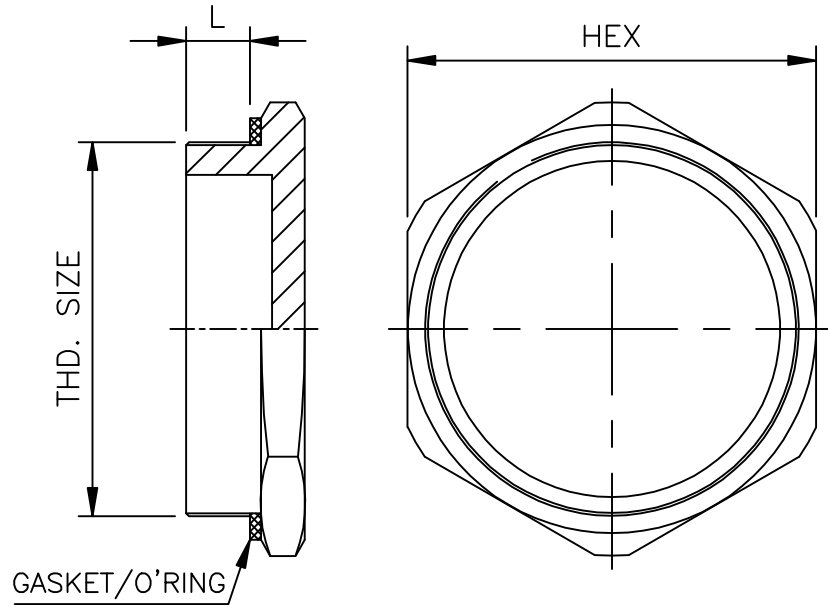
CONSTRUCTION :-
 BRASS NICKEL PLATED AS STANDARD
 OPTIONAL S.S. OR M.S.

GASKET/O'RING :-
 ENDLESS MOLDED NEOPRENE

ORDERING CODE :-
 CAT. NO. FOLLOWED BY SIZE e.g. KBP20 M20x1.5 OR KBP20 1/2"NPT

SIZE & CAT NO. :-

CAT.NO.	THD. SIZE METRIC	THD. SIZE ET	THD. SIZE NPT	HEX	L
KBP12	M12x1.5	-	1/4"	20	15
KBP16	M16x1.5	-	3/8"	20	15
KBP20	M20x1.5	3/4"	1/2"	25	15
KBP25	M25x1.5	1"	3/4"	32	15
KBP32	M32x1.5	1 1/4"	1"	42	17.5
KBP40	M40x1.5	1 1/2"	1-1/4"	45	17.5
KBP50	M50x1.5	2"	1-1/2"	56	20
KBP63	M63x1.5	2 1/2"	2"	75	20
KBP75	M75x1.5	3"	2-1/2"	82	20
KBP100	M100x1.5	-	3"	110	20



GASKET/O'RING NOT PROVIDED IN NPT THREADS

CLIENT		DRAWN	KBP	1.3.12	DESCRIPTION:-
CONSULTANT		APP'D	HPB	1.3.12	FLAMEPROOF & WEATHERPROOF
P.O.No.		CH'D	NPB	1.3.12	BLANKING / STOPPER PLUG
KAYSONS 1802/7, G.I.D.C. ESTATE, V.U.NAGAR 388121. (GUJARAT)					SHT.NO. 1 OF 1 REV. 0 DRG.NO.:— L04

THE INFORMATION CONTAINED IN THIS DRAWING IS THE PROPERTY OF KAYSONS TECHNO EQUIPMENTS PVT. LTD. AND IS NOT TO BE COPIED OR MISUSED IN ANY WAY.

ISSUE	DATE	BY	MODIFICATION